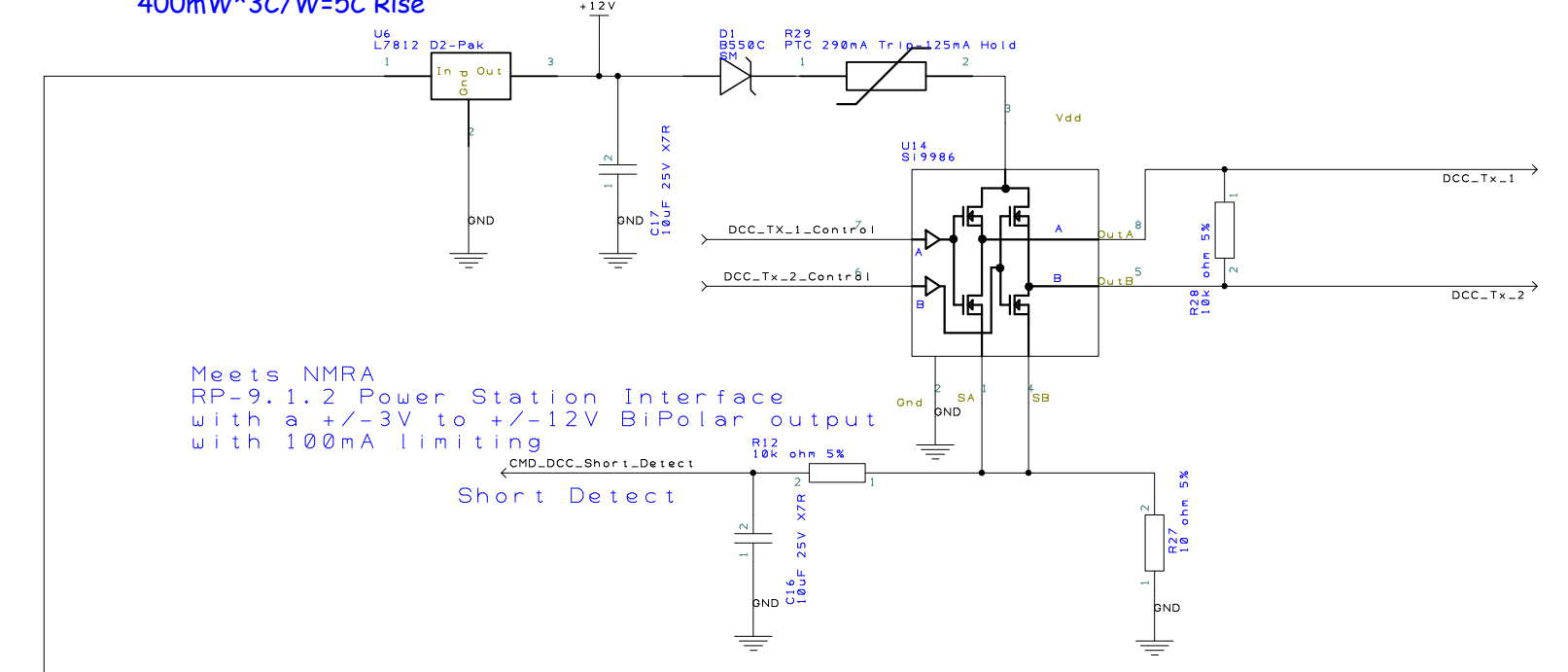


(20V-12V)*200mA=1.6W
400mW*3C/W=5C Rise

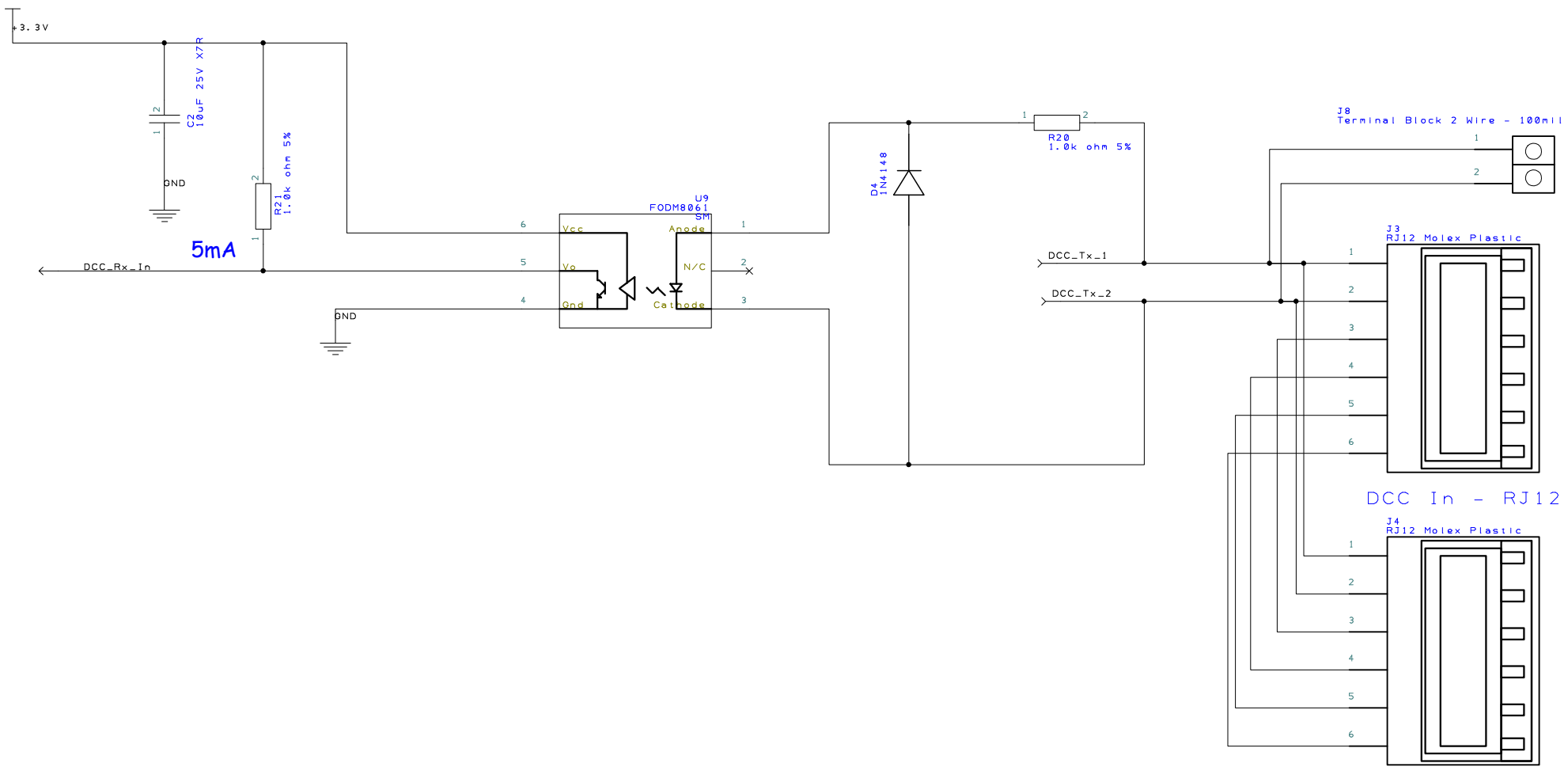
Booster DCC Transmit



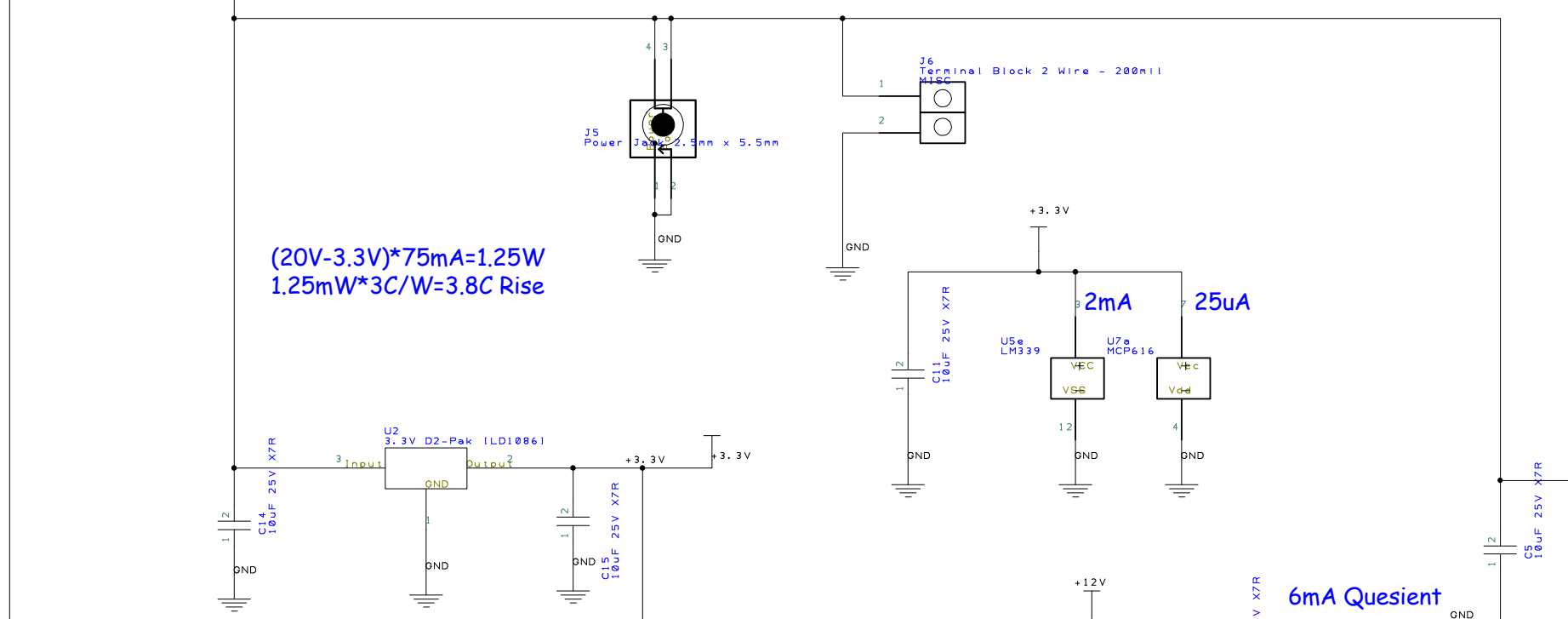
Meets NMRA
RP-9.1.2 Power Station Interface
with a +/-3V to +/-12V BiPolar output
with 100mA limiting

Short Detect

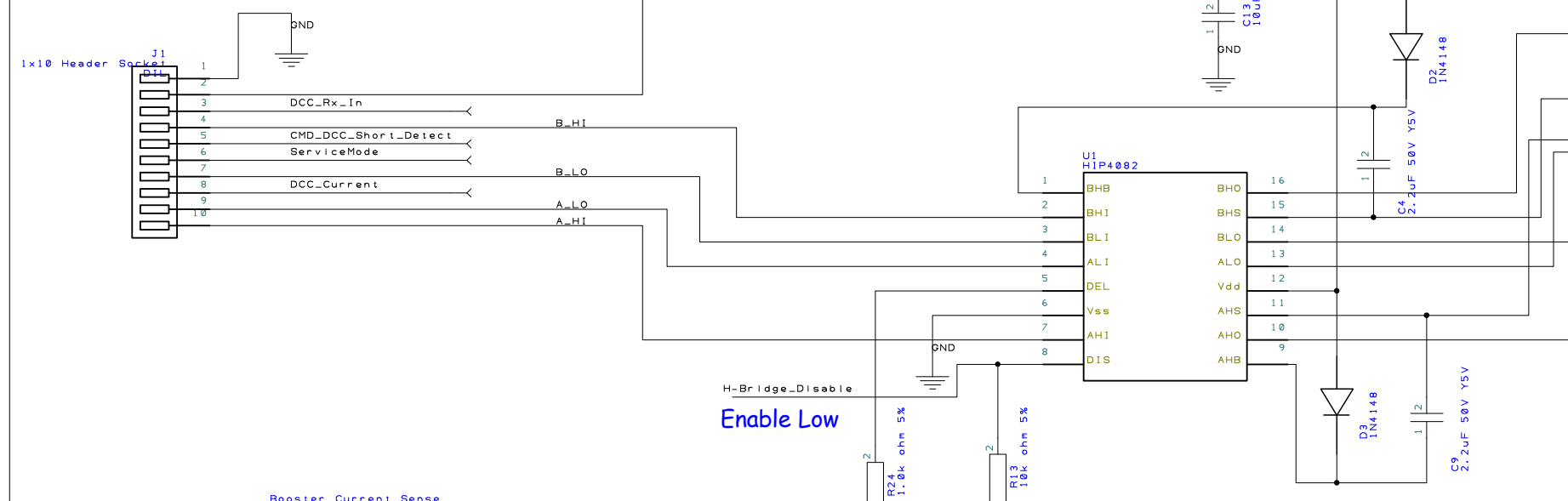
Booster DCC Receive



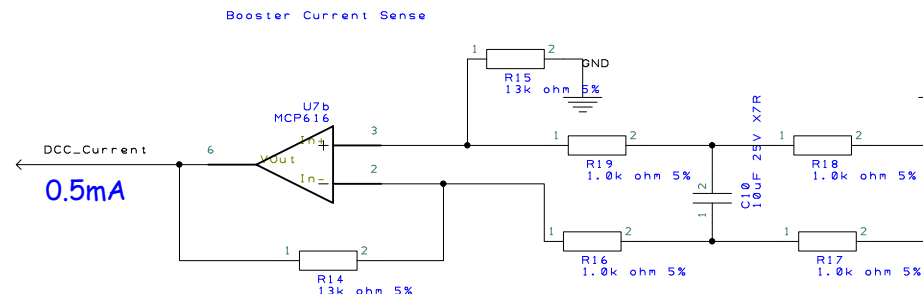
(20V-3.3V)*75mA=1.25W
1.25mW*3C/W=3.8C Rise



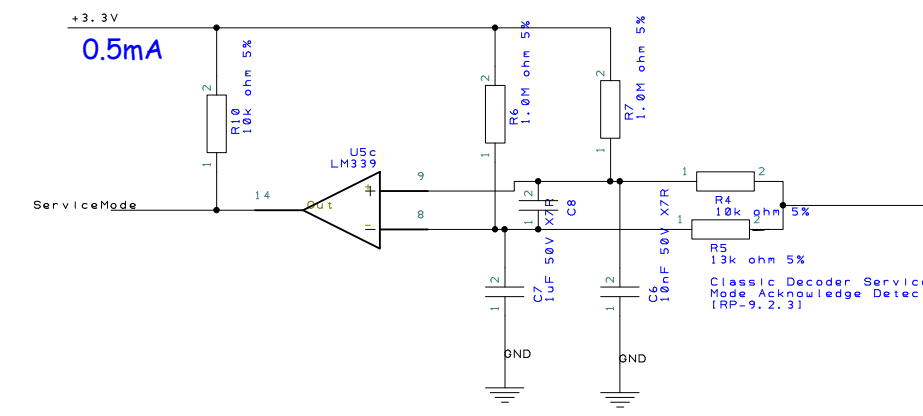
6mA Quiescent



H-Bridge Disable
Enable Low

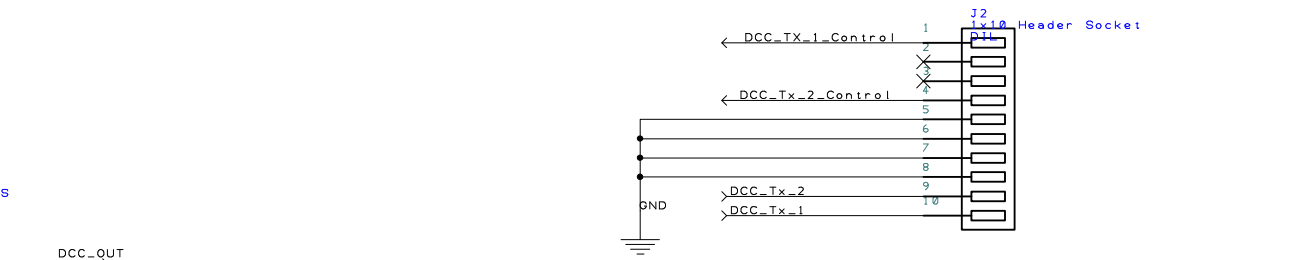


0.5mA

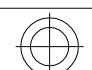



Service Mode Detector Circuit from OpenDCC Schematic

as it was hard to improve on



Track DCC Signal

E	D	C	B	A	Draun	Check	Projection Do Not Scale	 	10/21/2012
Drn	Drn	Drn	Drn	Project Mustangpeak		Client			
Chk	Chk	Chk	Chk	Title OpenLCB Command Station		Filename	Drawing No. 10020		